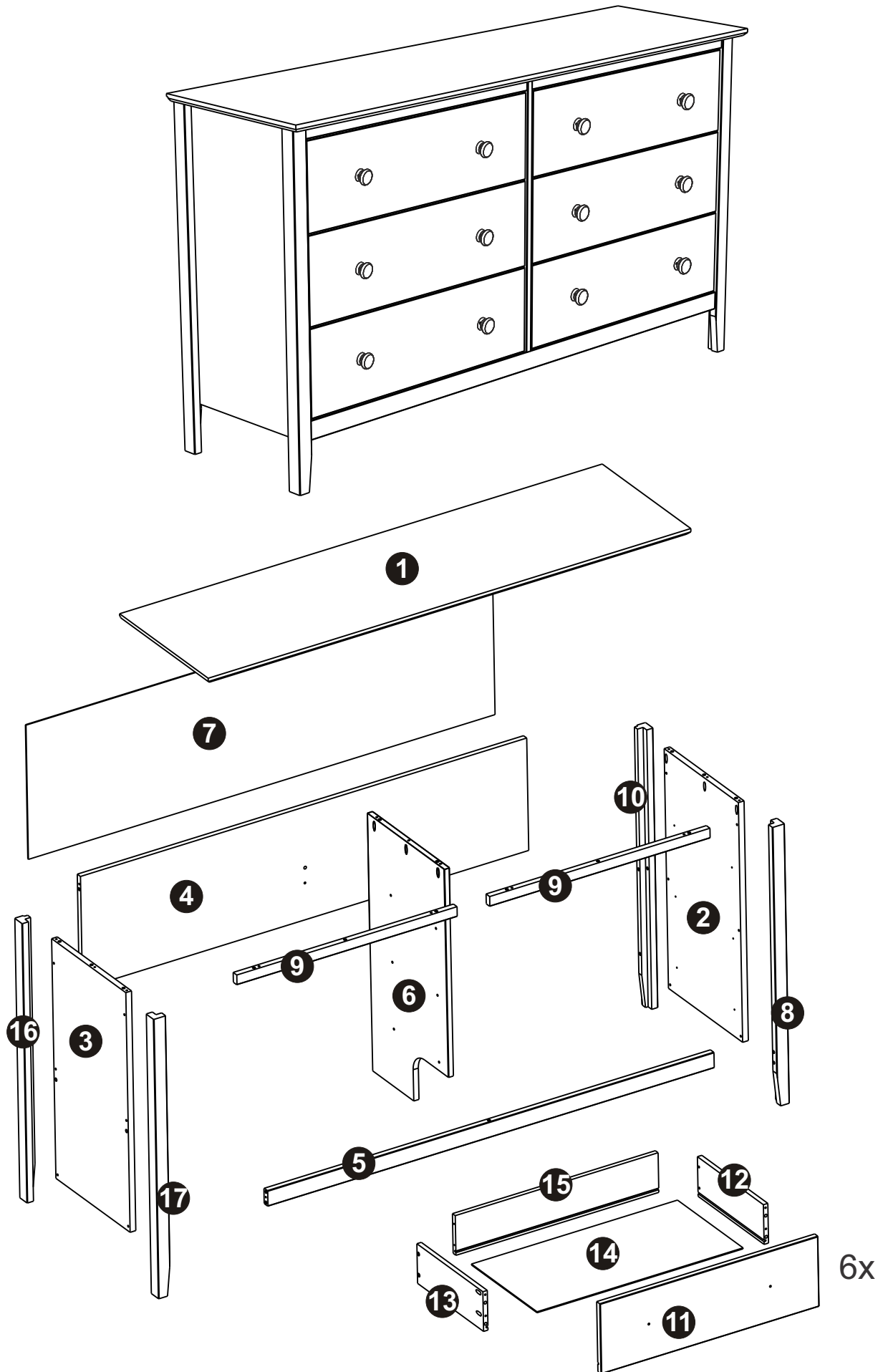



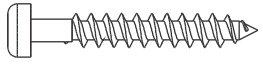
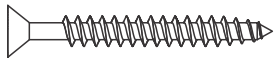


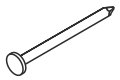
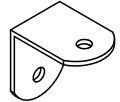

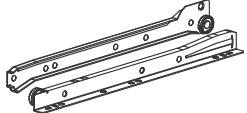
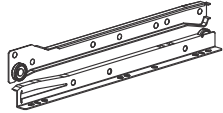

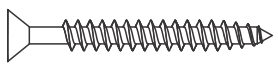
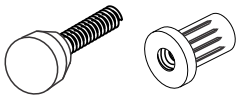


ASSEMBLY INSTRUCTIONS 6 DRAWER DRESSER



A		12
B	 Ø8x30mm	48
C	 Ø4x35mm	12
D	 Ø4x30mm	72
E	 Ø4,0x30mm	12
F	 Ø4x16mm	26
G	 Ø8x20mm	04
H	 Ø1 x 19mm	40
I		01
J		01
K	 330mm	06
L	 330mm	06
M	 Ø6x10mm	24
N	 Ø3,0x25mm	02
O		01

Tools Required



Hammer

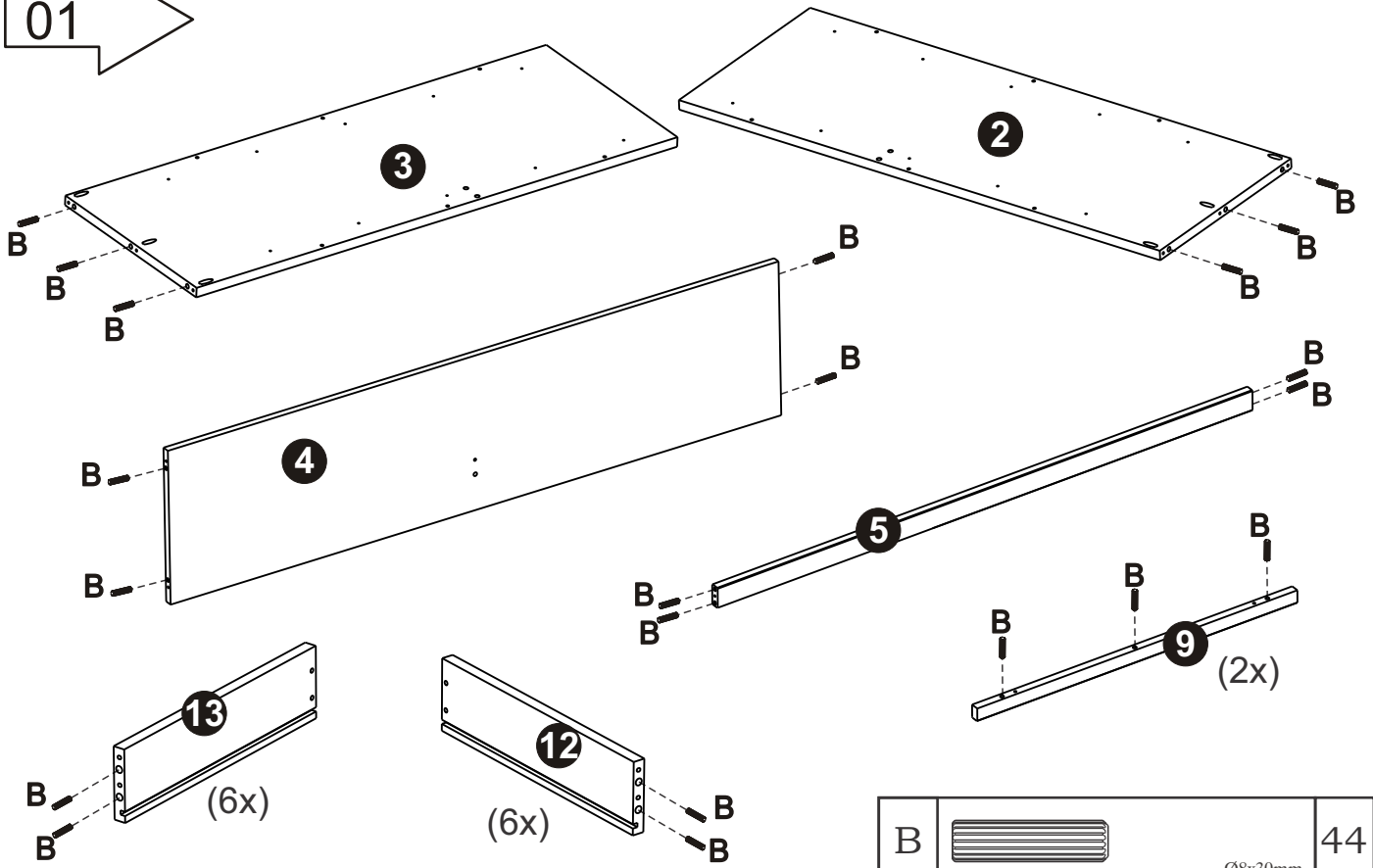
* These tools are not supplied by the manufacturer



REPLACEMENT PARTS

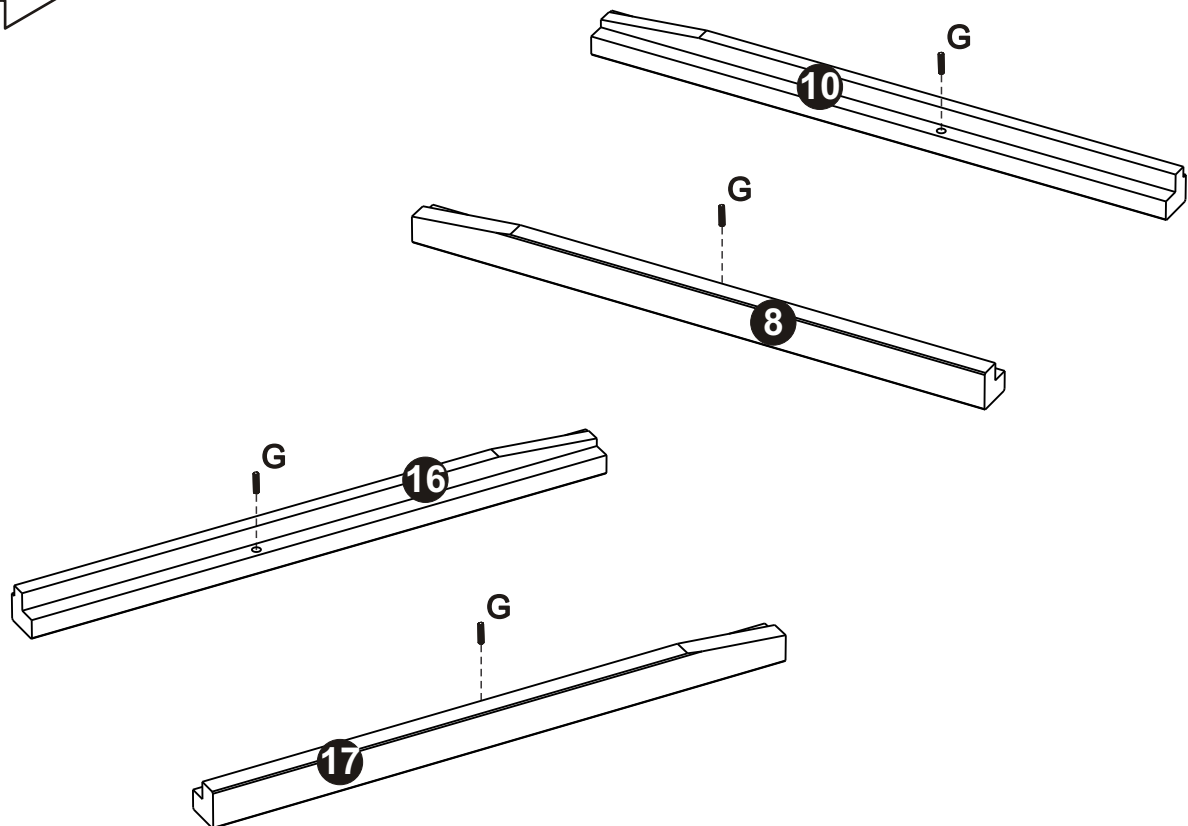
Please do not contact the company purchased from as we can help you faster.
Order replacement parts and hardware at "www.boltonfurniture.com".

01



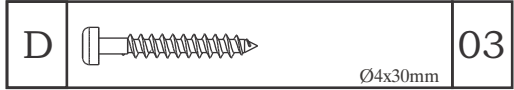
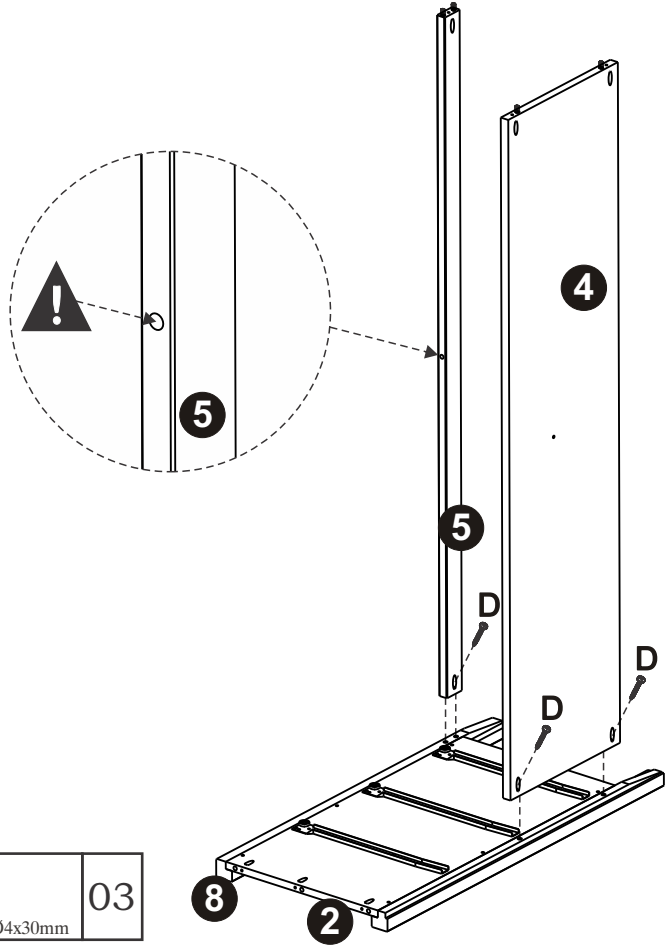
B		44
		Ø8x30mm

02

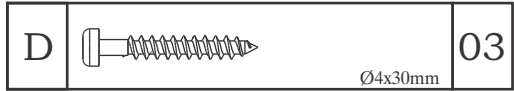
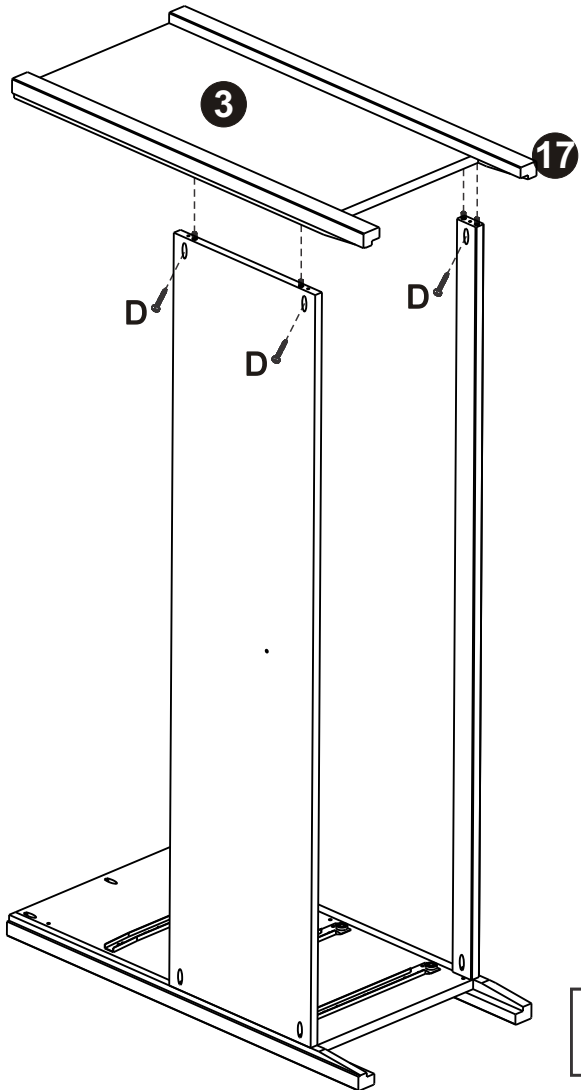


G		04
		Ø8x20mm

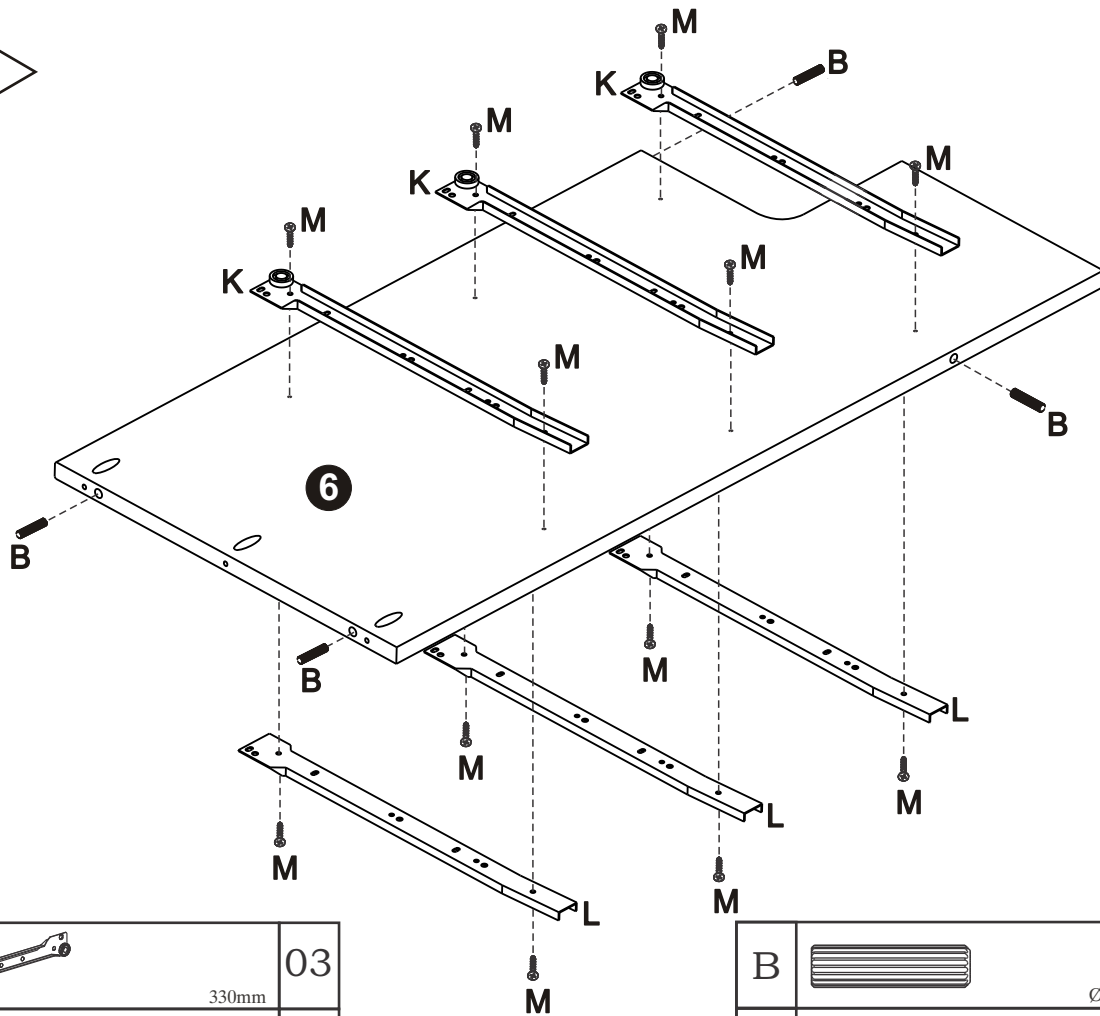
05

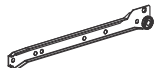
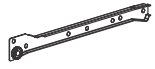


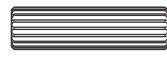

06



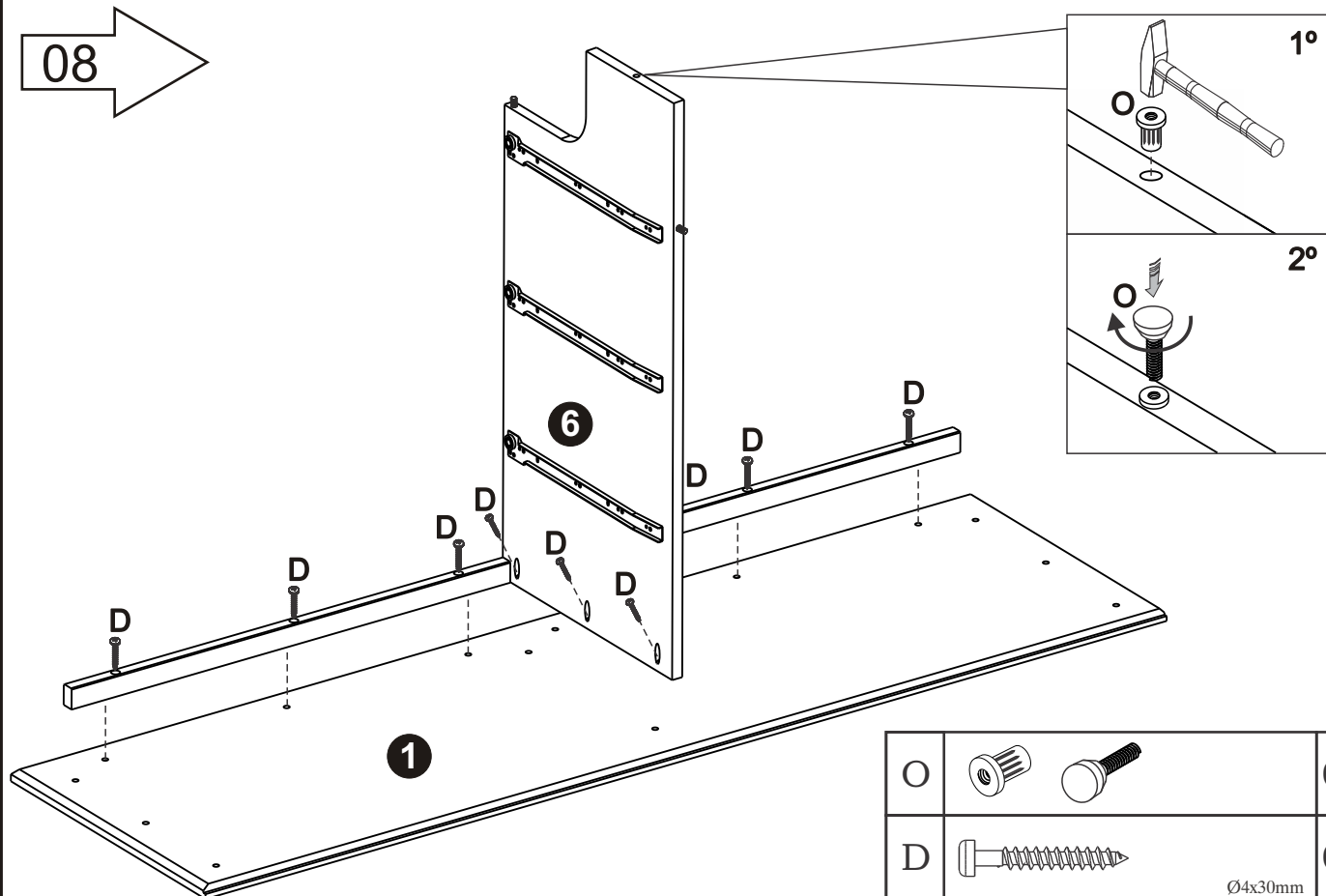
07


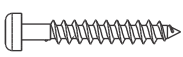


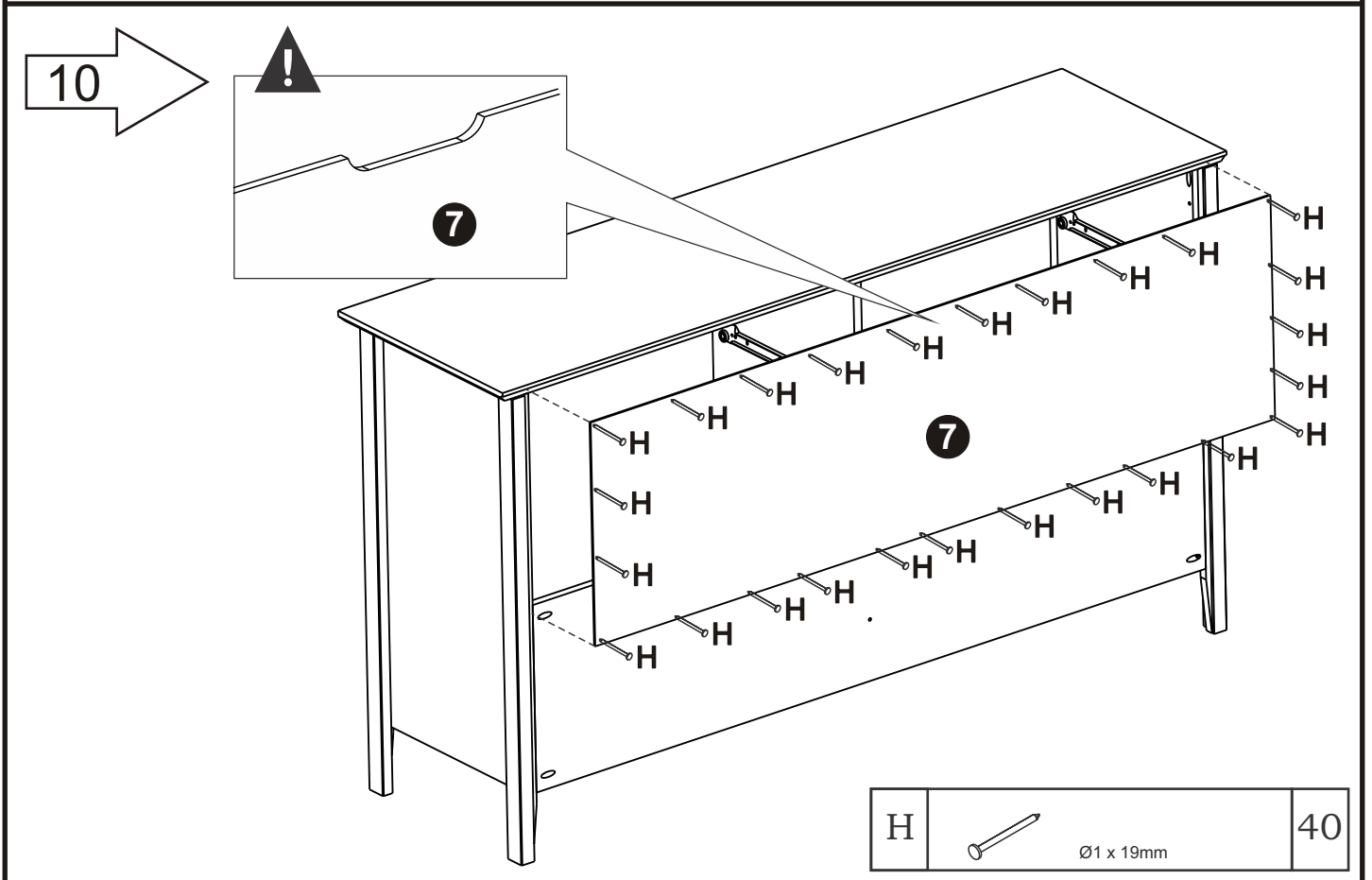
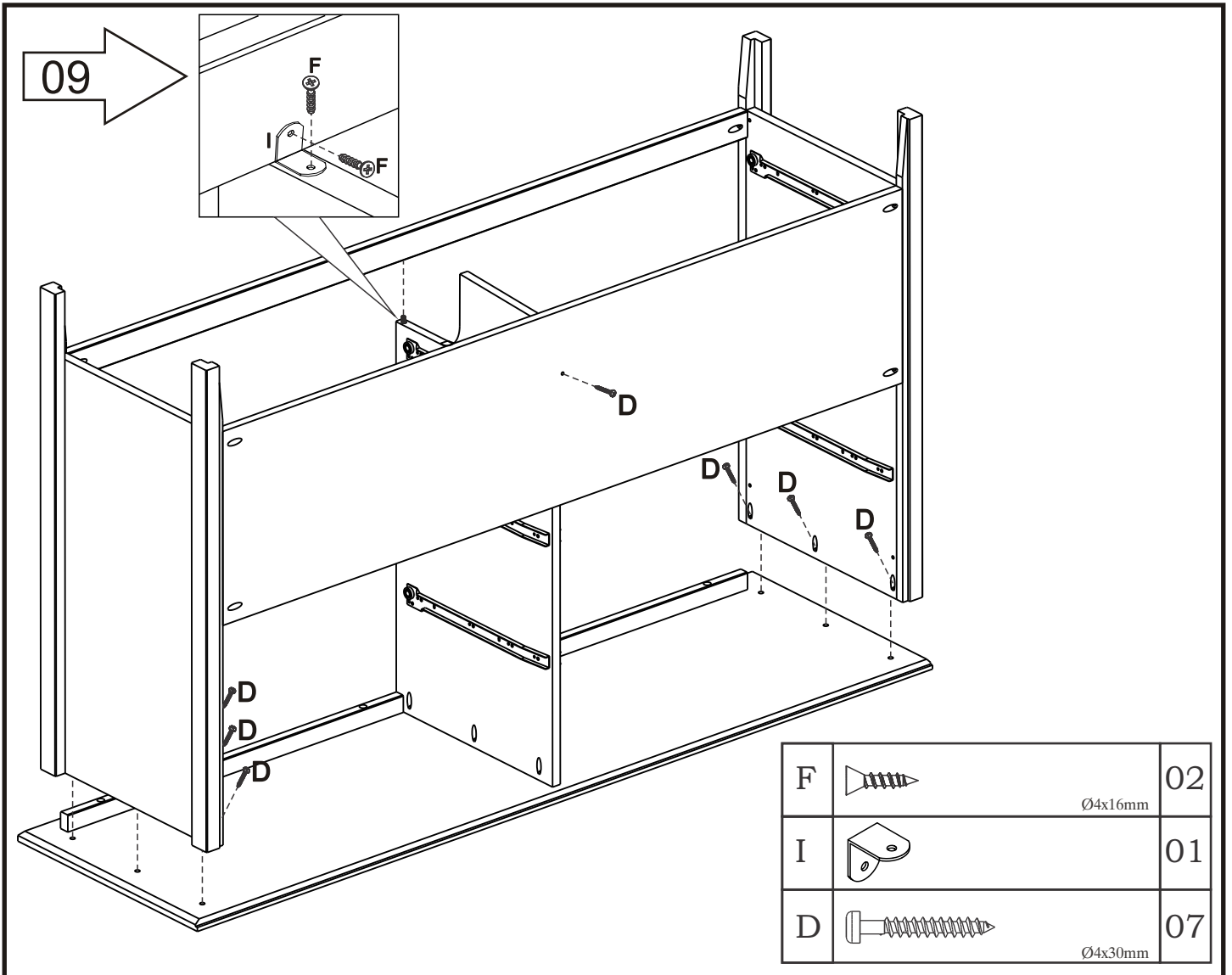
K		330mm	03
L		330mm	03

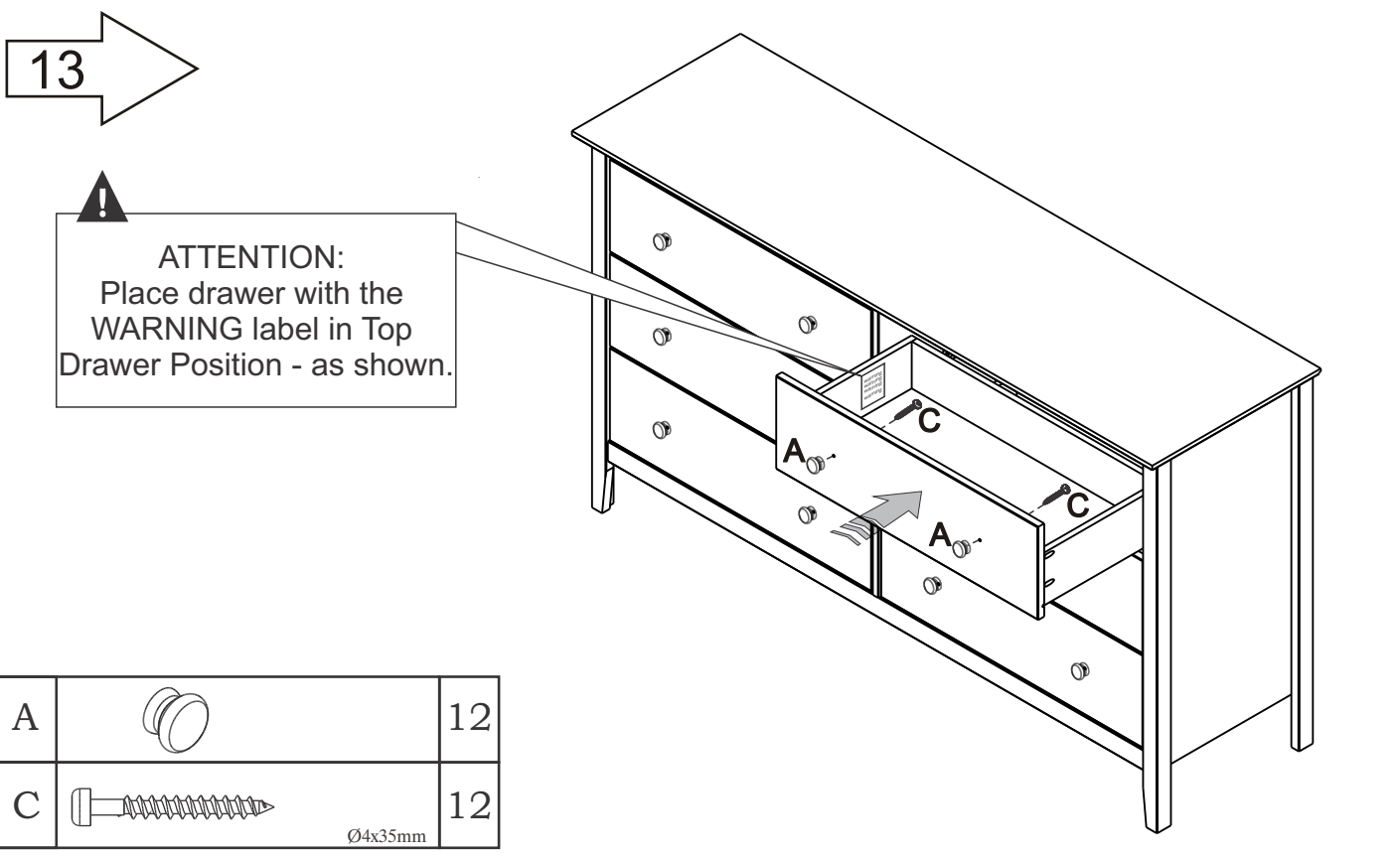
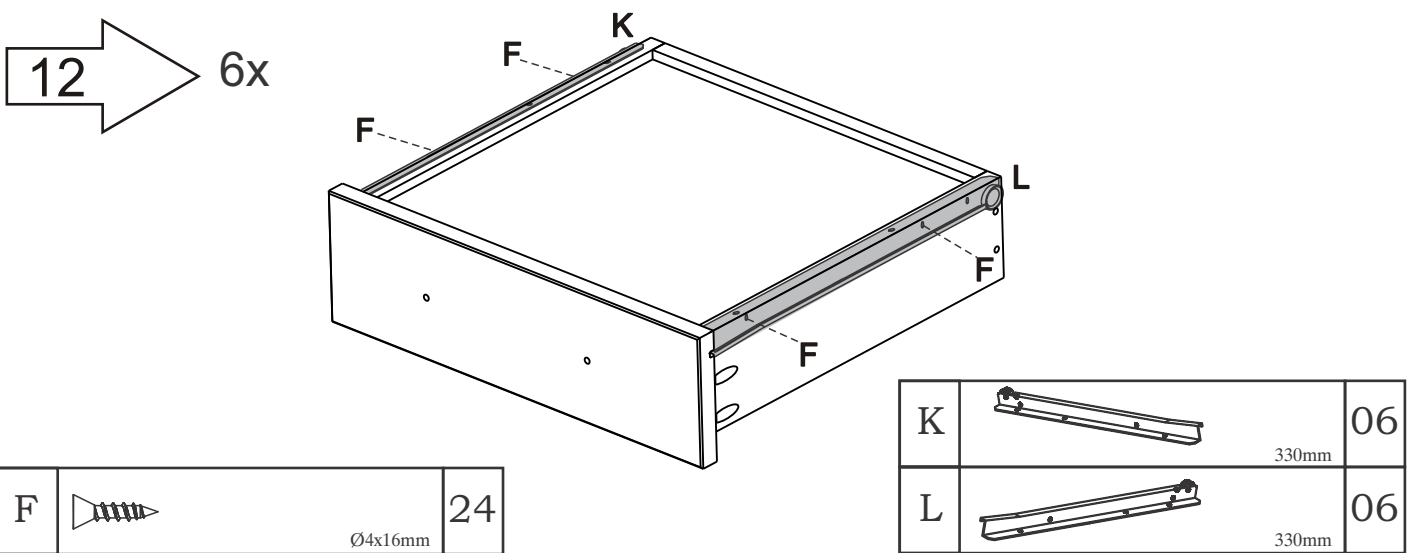
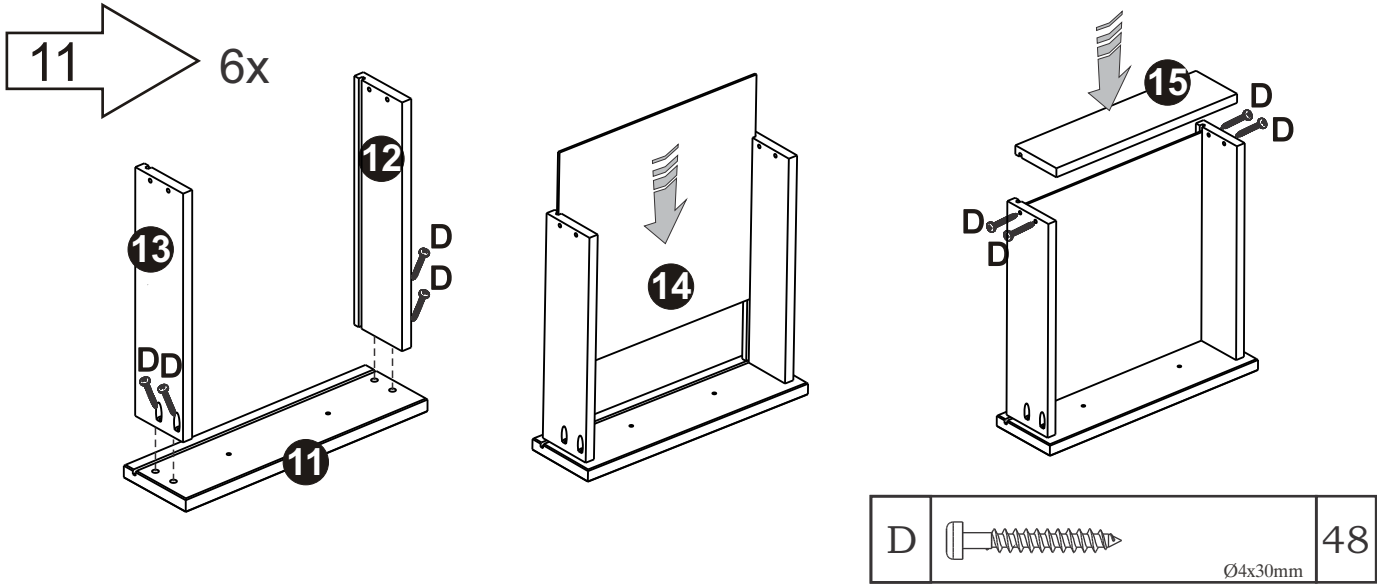
B		Ø8x30mm	04
M		Ø6x10mm	12

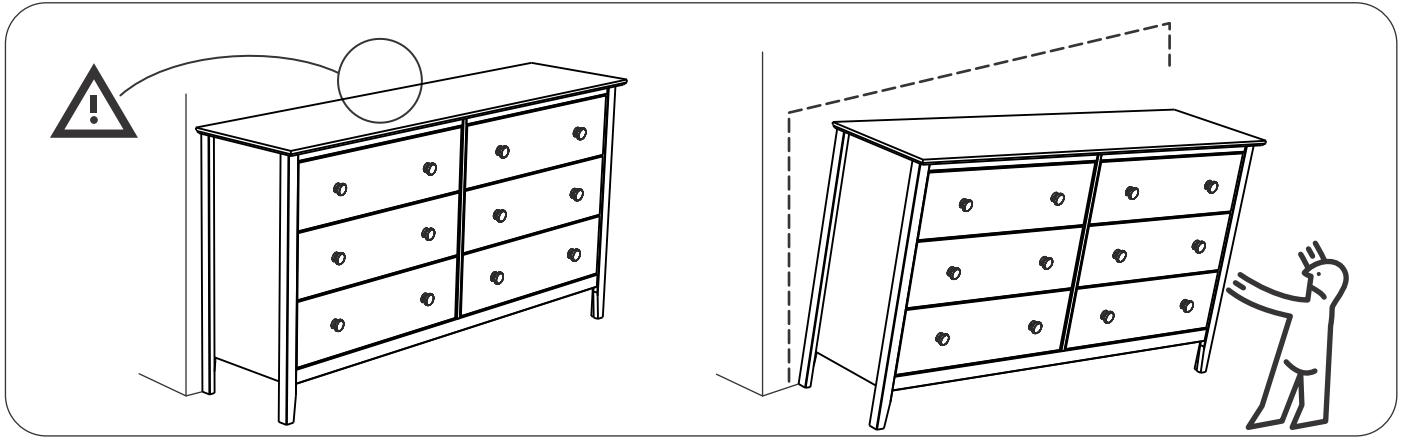
08



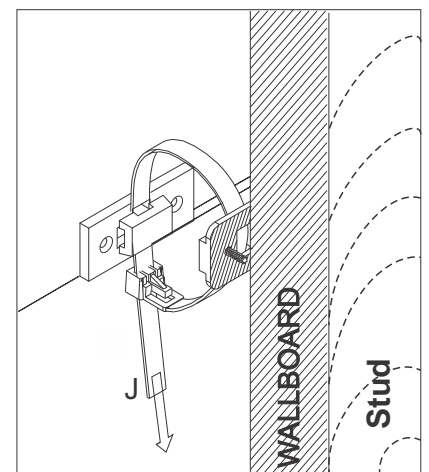
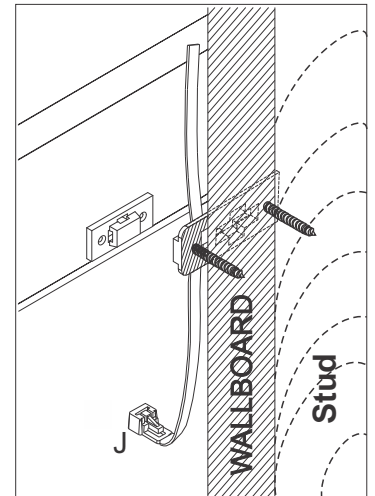
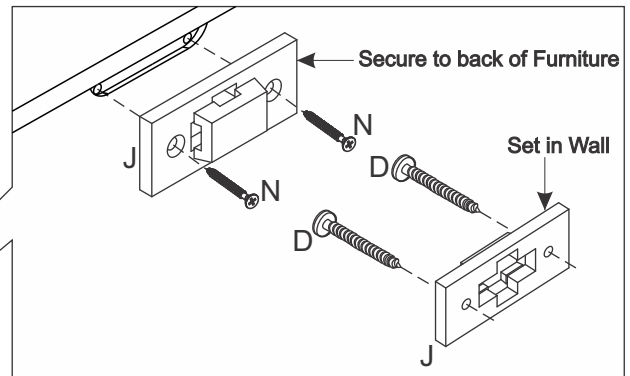
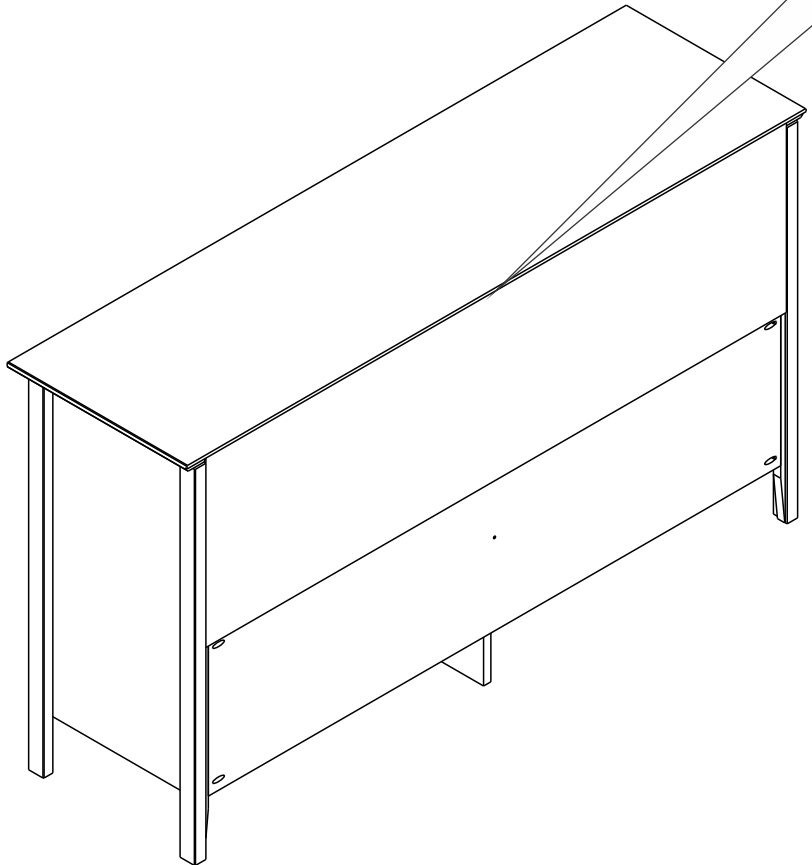
O			01
D		Ø4x30mm	09



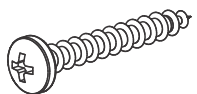




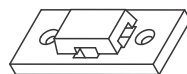
Secure to Stud behind Wallboard.



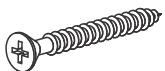
Secure to Stud behind Wallboard!



D - 4,0x30 Screw
Qty. 02



J - Plastic wall bracket
Qty. 02



N - 3,0x25 Screw
Qty. 02



J - Nylon strap 140mm
Qty. 01